

GENERAL NOTES:

1. BERTHA H.V. COLONIAL SHUTTER SHOWN ON THIS PRODUCT EVALUATION DOCUMENT (P.E.D.) HAS BEEN VERIFIED FOR COMPLIANCE IN ACCORDANCE WITH THE 2004 EDITION OF THE FLORIDA BUILDING CODE WITH THE 2005, 2006 AND 2007 SUPPLEMENTS.
THIS COLONIAL SHUTTER SHALL NOT BE INSTALLED AT HIGH VELOCITY HURRICANE ZONES. (MIAMI DADE/ BROWARD COUNTY)
DESIGN WIND LOADS SHALL BE DETERMINED AS PER SECTION 1609 OF THE ABOVE MENTIONED CODE, FOR A BASIC WIND SPEED NOT TO EXCEED 140 m.p.h. AND AS REQUIRED BY THE JURISDICTION WHERE SHUTTER WILL BE INSTALLED IN ACCORDANCE WITH ASCE 7-02 STANDARD. IN ORDER TO VERIFY THAT ANCHORS ON THIS P.E.D., AS TESTED, WERE NOT OVERSTRESSED, A 33% INCREASE IN ALLOWABLE STRESS FOR WIND LOADS WAS NOT USED IN THEIR ANALYSIS. HOWEVER, FOR CONNECTIONS INTO WOOD, A 1.60 WIND LOAD DURATION FACTOR WAS USED TO CALCULATE SCREWS SPACINGS.
BERTHA H.V. COLONIAL SHUTTER'S ADEQUACY FOR IMPACT AND FATIGUE RESISTANCE HAS BEEN VERIFIED IN ACCORDANCE WITH SECTION 1609.1.4 OF THE ABOVE MENTIONED CODE AS PER ATL REPORT # 1215.01-06 AND # 0131.01-07 WITH ADDENDUM, AS PER ASTM E 1886-05, ASTM E 1996-05 AND ASTM E 330-02 STANDARDS, QUALIFIED FOR WIND ZONE 3, MISSILE TYPE D, AND PER PROTOCOL TAS 202.
2. SEE ELEVATIONS ON SHEETS 3, 3A, 4 & 9 FOR MAX. DESIGN PRESSURE RATING & MAX. SHUTTER DIMENSIONS.
3. ALL ALUMINUM EXTRUSIONS SHALL BE ALUMINUM ASSOCIATION 6063-T6 ALLOY AND TEMPER, WITH Fy = 25.0 ksi MINIMUM (UNLESS OTHERWISE NOTED).
4. ALL SCREWS TO BE STAINLESS STEEL 304 OR 316 AISI SERIES WITH 50 ksi YIELD POINT AND 90 ksi TENSILE STRENGTH.
5. BOLTS TO BE AISI 304 SERIES STAINLESS STEEL WITH 35 ksi MINIMUM YIELD STRENGTH.
6. ALL ALUMINUM POP RIVETS TO BE 5052 ALUMINUM ALLOY WITH ALUMINUM MANDREL.
7. ANCHORS TO WALL SHALL BE AS FOLLOWS: (UNLESS OTHERWISE NOTED)
 - (A) TO EXISTING WOOD FRAME WALL: SOUTHERN PINE No.2, G=0.55,
- 1/4" Ø TAPCON ANCHORS AS MANUFACTURED BY I.T.W./BUILDEX, INC.

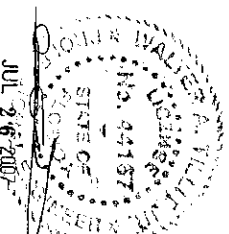
NOTES:

- A.1) MINIMUM THREADED PENETRATION OF TAPCON ANCHORS INTO WOOD SHALL BE 1 1/2".
- A.2) IN CASE THAT PRECAST STONE OR PRECAST CONCRETE PANELS BE FOUND ON THE EXISTING WALL, ANCHORS SHALL BE LONG ENOUGH TO REACH THE MAIN STRUCTURE BEHIND SUCH PANELS. ANCHORAGE SHALL BE AS INDICATED ON NOTES A.1).
- (B) TO EXISTING POURED CONCRETE MIN. (f'c = 3192 p.s.i.) OR ASTM C-90 CONCRETE BLOCK - 1/4" Ø TAPCON ANCHORS AS MANUFACTURED BY I.T.W./BUILDEX.

NOTES:

- B.1) MINIMUM EMBEDMENT OF TAPCON ANCHORS INTO THE POURED CONCRETE UNIT SHALL BE 1 3/4" AND IN CONCRETE BLOCK UNIT SHALL BE 1 1/4".
- B.2) IN CASE THAT PRECAST STONE OR PRECAST CONCRETE PANELS BE FOUND ON THE EXISTING WALL, ANCHORS SHALL BE LONG ENOUGH TO REACH THE MAIN STRUCTURE BEHIND SUCH PANELS. ANCHORAGE SHALL BE AS INDICATED ON NOTES B.1).
- (C) ANCHORS SHALL BE INSTALLED FOLLOWING ALL OF THE RECOMMENDATIONS AND SPECIFICATIONS OF THE ANCHOR'S MANUFACTURER.

8. EACH SHUTTER SHALL HAVE A LEGIBLE AND READILY VISIBLE MARKING INSTRUCTING OWNER OR TENANT TO SECURE SHUTTER WITH STORM BARS & SAFETY PINS DURING PERIODS OF HURRICANE WARNINGS.
9. IT SHALL BE THE RESPONSIBILITY OF THE CONTRACTOR TO VERIFY THE SOUNDNESS OF THE STRUCTURE WHERE SHUTTER IS TO BE ATTACHED TO INSURE PROPER ANCHORAGE. CONTRACTOR TO SEAL/CAULK ALL SHUTTER COMPONENT EDGES WHICH REMAIN IN CONTINUOUS CONTACT WITH THE BUILDING TO PREVENT WIND/RAIN INTRUSION.
10. OWNER TO BE RESPONSIBLE FOR PROVIDING A SUITABLE PLATFORM OR BALCONY WHEN SECURING UNIT DURING HURRICANE WARNINGS.
11. BERTHA H.V. COLONIAL SHUTTER'S INSTALLATION SHALL COMPLY WITH SPECS INDICATED IN THIS DRAWING PLUS ANY BUILDING AND ZONING REGULATIONS PROVIDED BY THE JURISDICTION WHERE PERMIT IS APPLIED TO.
12. SHUTTER'S MANUFACTURER LABEL SHALL BE PLACED ON THE EXPOSED SURFACE OF THE COLONIAL FRAME (D) OR (E). ONE LABEL SHALL BE PLACED FOR EVERY OPENING. LABEL SHALL READ AS FOLLOWS:
AMERICAN SHUTTER SYSTEMS ASSOC., INC.
WEST PALM BEACH, FL.
FLORIDA STATEWIDE PRODUCT APPROVED.
13. (a) THIS PRODUCT EVALUATION DOCUMENT (P.E.D.) PREPARED BY THIS ENGINEER IS GENERIC AND DOES NOT PROVIDE INFORMATION FOR A SITE SPECIFIC PROJECT; I. e. WHERE THE SITE CONDITIONS DEViate FROM THE P.E.D.
 - (b) CONTRACTOR TO BE RESPONSIBLE FOR THE SELECTION, PURCHASE AND INSTALLATION INCLUDING LIFE SAFETY OF THIS PRODUCT, BASED ON THIS PRODUCT EVALUATION DOCUMENT. PROVIDED HE/SHE DOES NOT DEVIATE FROM THE CONDITIONS DETAILED ON THIS DOCUMENT. CONSTRUCTION SAFETY AT SITE IS THE CONTRACTOR'S RESPONSIBILITY.
 - (c) THIS PRODUCT EVALUATION DOCUMENT WILL BE CONSIDERED INVALID IF ALTERED BY ANY MEANS.
 - (d) SITE SPECIFIC PROJECTS SHALL BE PREPARED BY A FLORIDA REGISTERED ENGINEER OR ARCHITECT WHICH WILL BECOME THE ENGINEER OF RECORD (E.O.R.) FOR THE PROJECT AND WHO WILL BE RESPONSIBLE FOR THE PROPER USE OF THE P.E.D. ENGINEER OF RECORD, ACTING AS A DELEGATED ENGINEER TO THE P.E.D. ENGINEER, SHALL SUBMIT TO THIS LATTER THE SITE SPECIFIC DRAWINGS FOR REVIEW.
 - (e) THIS P.E.D. SHALL BEAR THE DATE AND ORIGINAL SEAL AND SIGNATURE OF THE PROFESSIONAL ENGINEER OF RECORD THAT PREPARED IT.



TILECO INC.

TILE TESTING & ENGINEERING COMPANY
608 N.W. 20th Ave., Suite 200, Ft. Lauderdale, FL 33309
WALTER A. TULLER JR., P.E.
TELEPHONE: 954-441-1271
© 2006 TILECO INC.

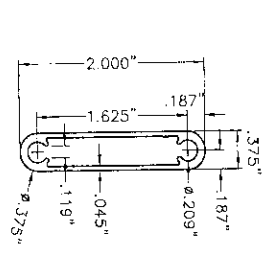
AMERICAN SHUTTER SYSTEMS ASSOC., INC.

4266 WESTINGHOUSE DRIVE
WEST PALM BEACH, FLORIDA 33407

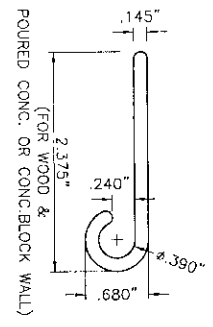
F. B. C. (Nor) High Velocity Hurricane Zone

REV. NO.	DATE	REV. NO.	DATE
1	09/22/06	1	09/22/06

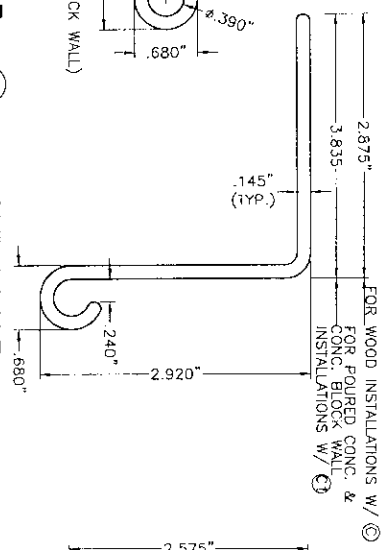
DRAWN BY: M.C.V.
12/20/06
DATE: 06-216
DRAWING NO.



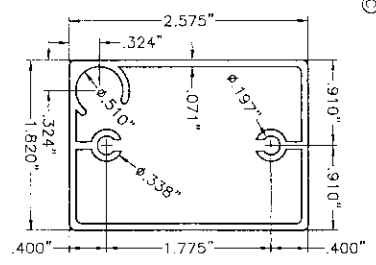
(A) LOUVER BLADE
6063-T6 Alum. ALLOY



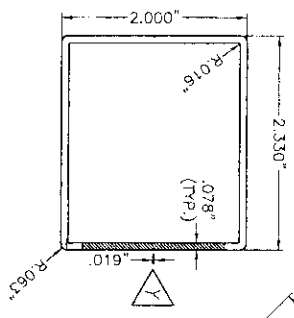
(B) FLAT HINGE
6063-T6 Alum. ALLOY
2" LONG



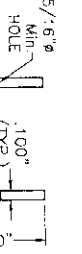
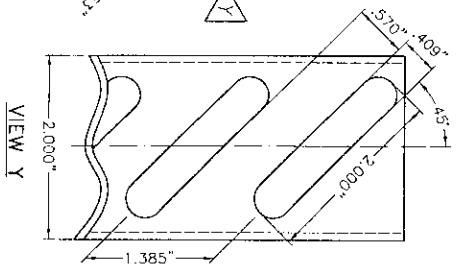
(C) DOUBLE HINGE
(C1) DOUBLE HINGE
6063-T6 Alum. ALLOY
2" LONG



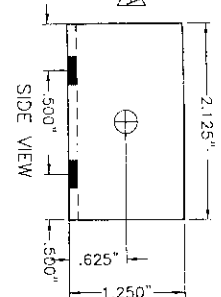
(D) TOP & BOTTOM RAIL
6063-T6 Alum. ALLOY



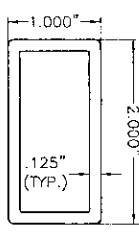
(E) JAMB



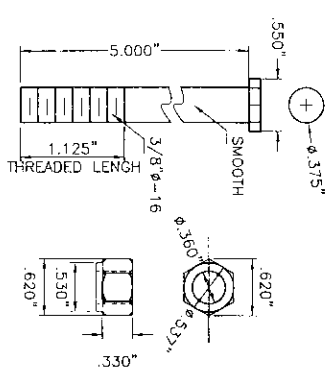
(F) H.V. STORM BAR CLIP
6063-T6 Alum. ALLOY
2 1/8" LONG



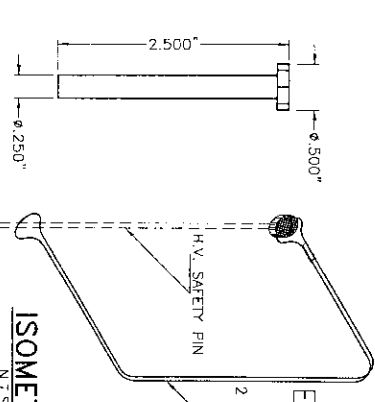
(G) STORM BAR TYPE 1



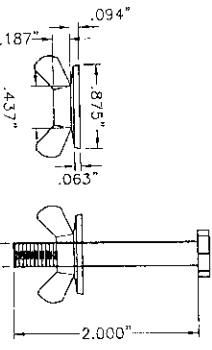
(G1) STORM BAR TYPE 2



(H) S.S. HINGE PIN
W/ LOCK NUT.



(I) S.S. H.V. SAFETY PIN
W/ 2 S.S. WIRE SNAP



(J) NON HURRICANE BRACKET ANGLE
6063-T6 Alum. ALLOY
2 1/8" LONG

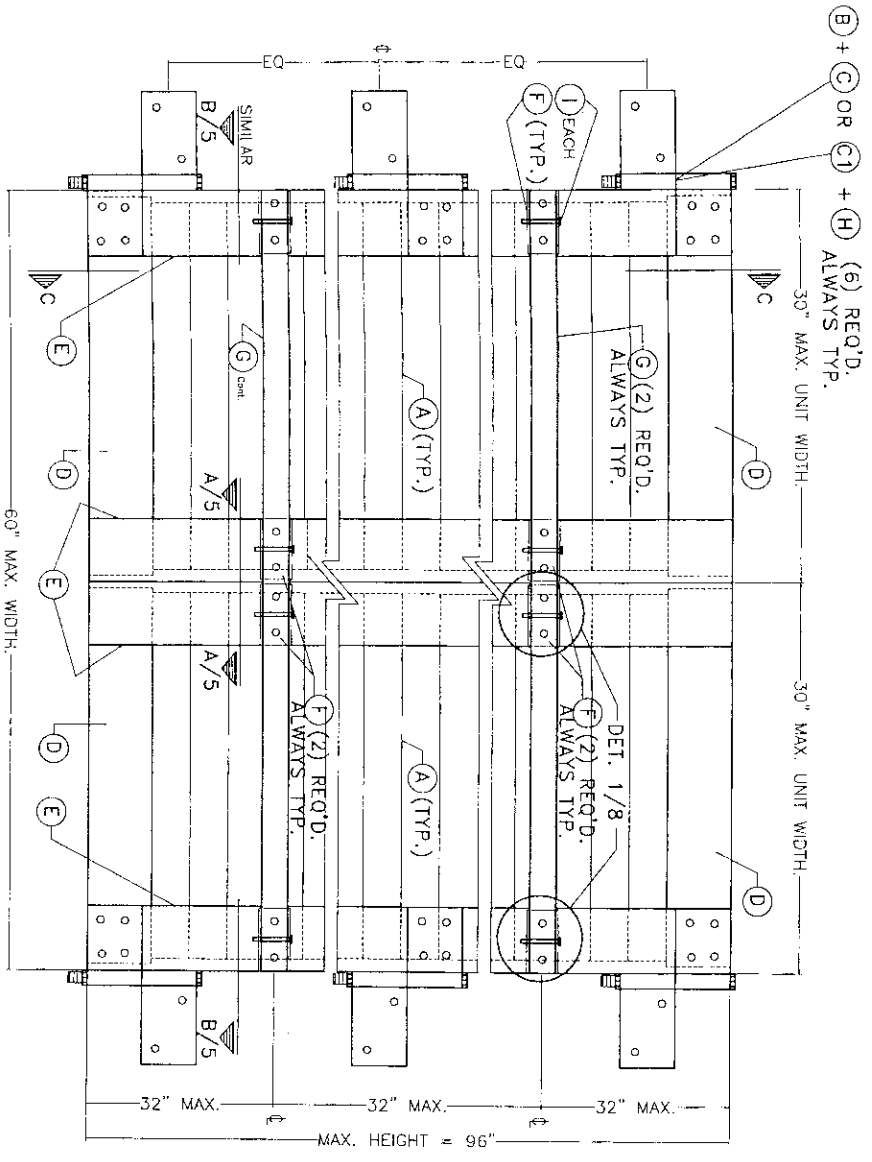
COMPONENTS

F.B.C.M. (Non High Velocity Hurricane Zone)



TILECO INC.
TILE TESTING & ENGINEERING COMPANY
1535 N.W. 36th St., Ft. Lauderdale, FL 33309
Tel: (954) 583-1100
Fax: (954) 583-1101
WALTER A. TILIT, Jr., P. E.
FLORIDA Lic # 44167
© 2008 TILECO INC.

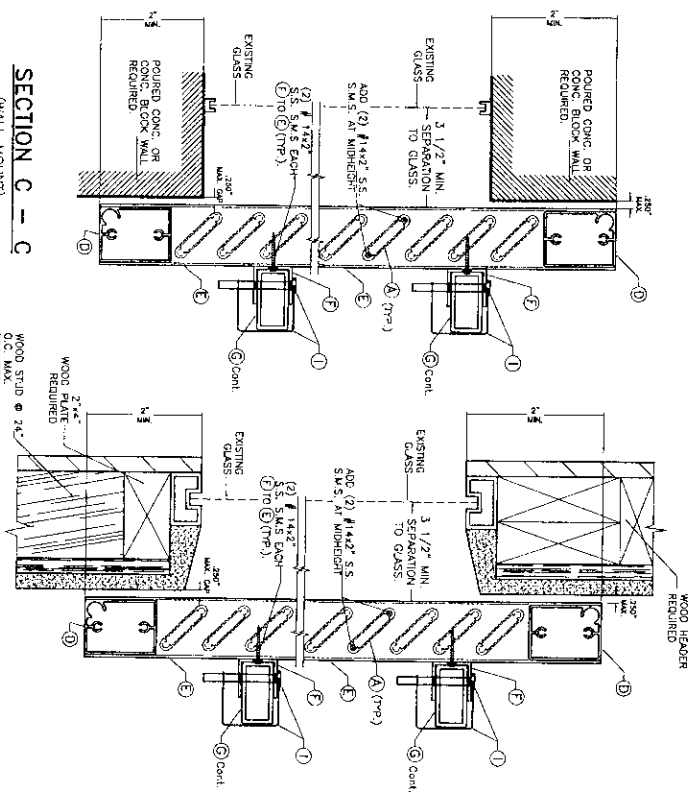
REV.	NO.	DESCRIPTION	DATE
1	1	ASSA / BERTHA H.V. COLONIAL SHUTTER	12/20/08
2	1	AMERICAN SHUTTER SYSTEMS ASSOC., INC.	06-27-06
3	1	WEST PALM BEACH, FLORIDA 33407	DRAWING NO.
SHEET 2 OF 14			DATE



TYPICAL EXTERIOR ELEV. DOUBLE PANEL FOR WOOD OR CONCRETE (HURRICANE POSITION)

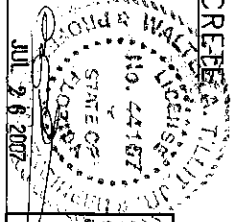
N.T.S.

MAXIMUM DESIGN PRESSURE RATING = +45, -55 psf.



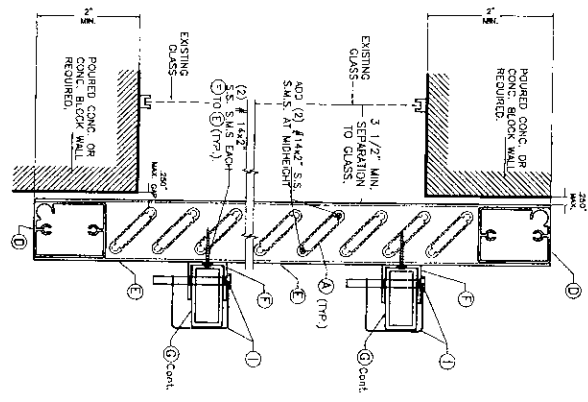
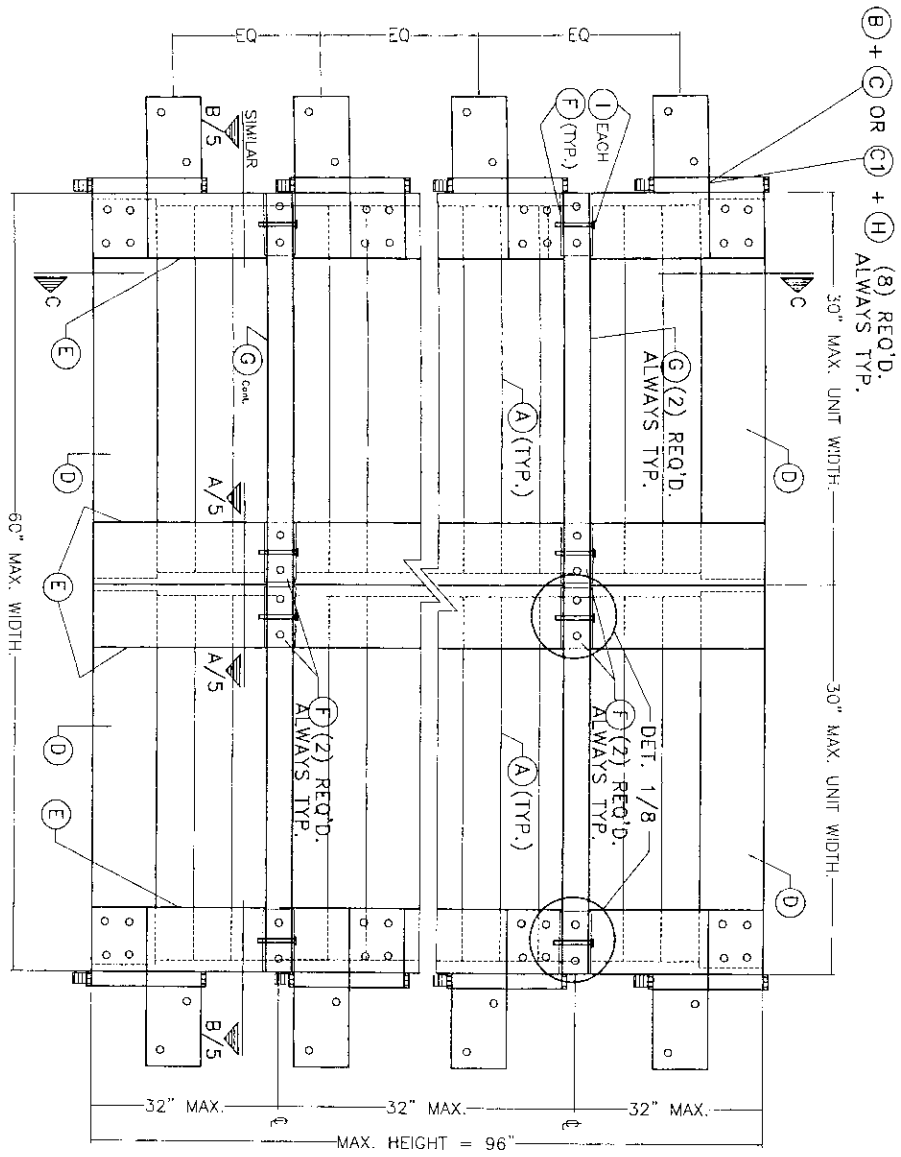
SECTION C - C
(WALL MOUNT)
HURRICANE POSITION
SCALE: 1/4" = 1"

SECTION C - C
(WALL MOUNT)
HURRICANE POSITION
SCALE: 1/4" = 1"



TILECO INC. TILE TESTING & ENGINEERING COMPANY 4288 WESTWOODS DRIVE WEST PALM BEACH, FLORIDA 33407 TEL: 561-833-1300 FAX: 561-833-1301 FLORIDA LIC # 44187 © 2006 TILECO INC.		ASSA / BERTHA H.V. COLONIAL SHUTTER AMERICAN SHUTTER SYSTEMS ASSOC., INC. WEST PALM BEACH, FLORIDA 33407	
PROJECT NO. REV. DATE	DRAWN BY I.A./M.C.V. DATE 12/20/06	DESCRIPTION WEST PALM BEACH, FLORIDA 33407	DRAWING NO. 06-216 SHEET 3 OF 14

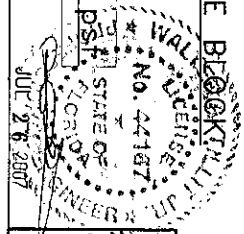
F.B.C. (For High Velocity Hurricane Zone)



SECTION C - C
(WALL MOUNT)
HURRICANE POSITION
SCALE: 1/4" = 1"

TYPICAL EXTERIOR ELEV. DOUBLE PANEL FOR CONCRETE BLOCK WALL
(HURRICANE POSITION)

MAXIMUM DESIGN PRESSURE RATING = +45, -55 PSF



TILECO INC.
TILE TESTING & ENGINEERING COMPANY
4268 WESTWOODS DRIVE
WEST PALM BEACH, FLORIDA 33407
WALTER J. UPCHURCH, P.E.
FLORIDA LIC. # 44187
© 2006 TILECO INC.

ASSA / BERTHA H.V. COLONIAL SHUTTER
AMERICAN SHUTTER SYSTEMS ASSOC., INC.

F.B.C. (Non High Velocity Hurricane Zone)

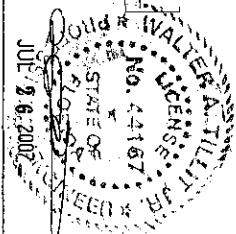
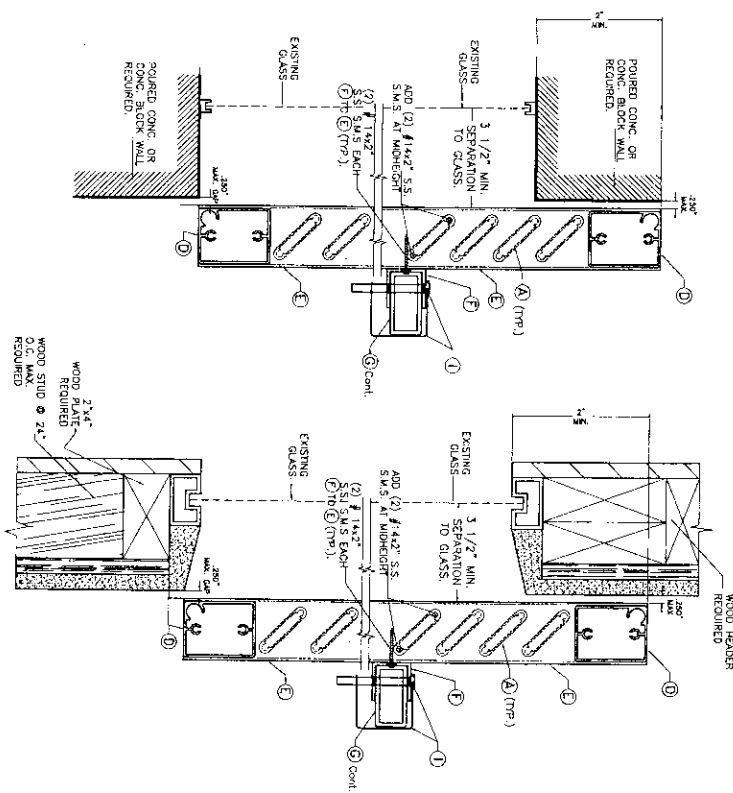
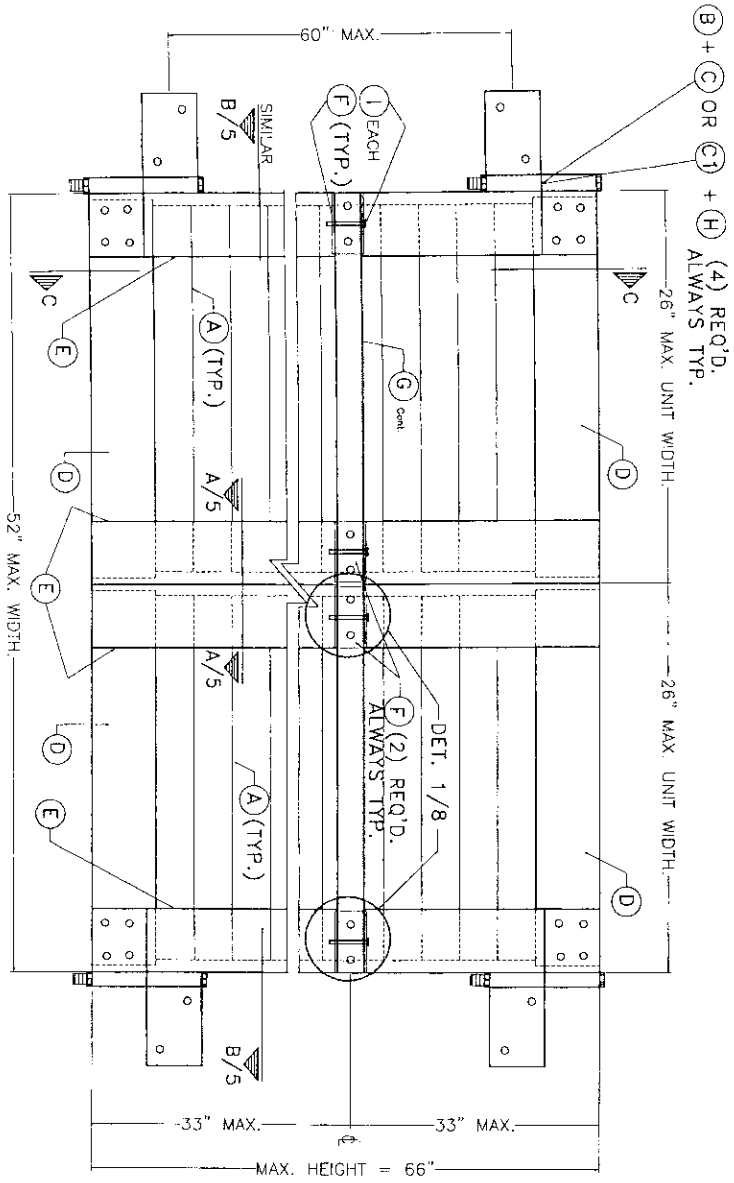
DRAWN BY: LA/M.C.V.
DATE: 12/20/06
06-216
DRAWING NO.
SHEET 3A OF 14

REV. NO.	DATE	DESCRIPTION	DATE
1	07/20/06		
2			

MAXIMUM DESIGN PRESSURE RATING = +50, -55 psf

TYPICAL EXTERIOR ELEV. DOUBLE PANEL
(HURRICANE POSITION)

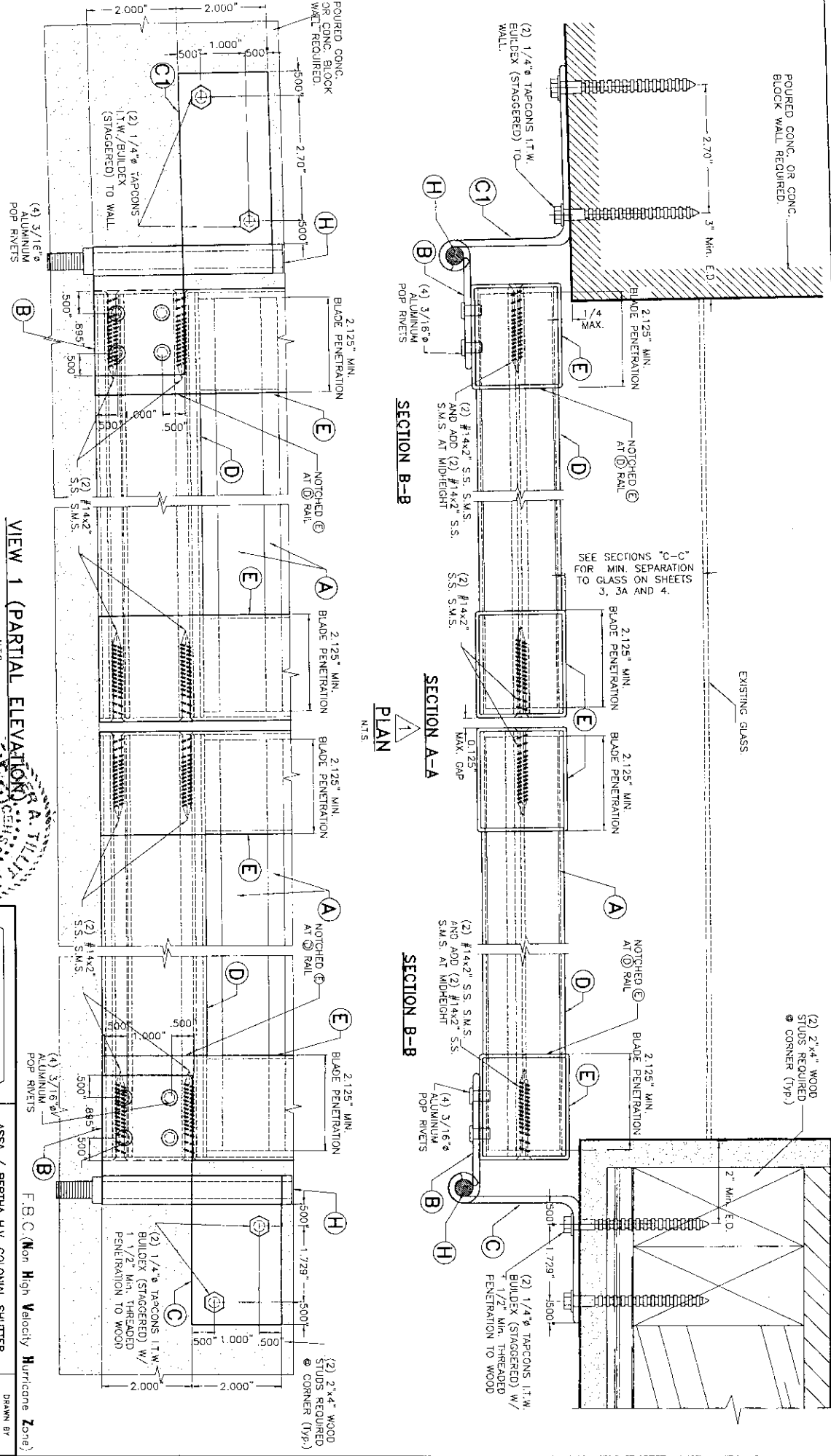
N.T.S.



TILECO INC.
 TILT TESTING & ENGINEERING COMPANY
 2008 N.W. 24th St., 2nd Floor, Pompano Beach, Florida 33062
 Phone: (904) 961-1158 Fax: (904) 961-1151
 WALTER A. WILCOX, P.E.
 FLORIDA Lic. # 44167
 © 2008 TILECO INC.

ASSA / BERTHA H.V. COLONIAL SHUTTER		DATE	12/20/06
AMERICAN SHUTTER SYSTEMS ASSOC., INC.		DATE	1A/M/CV
DESIGNER	WEST PALM BEACH, FLORIDA 33407	DATE	06-216
SCALE	1/4" = 1'	ORIGINATOR	ORIGINATOR
SHEET 4 OF 14			

F.B.C./Nen High Velocity Hurricane Zone)



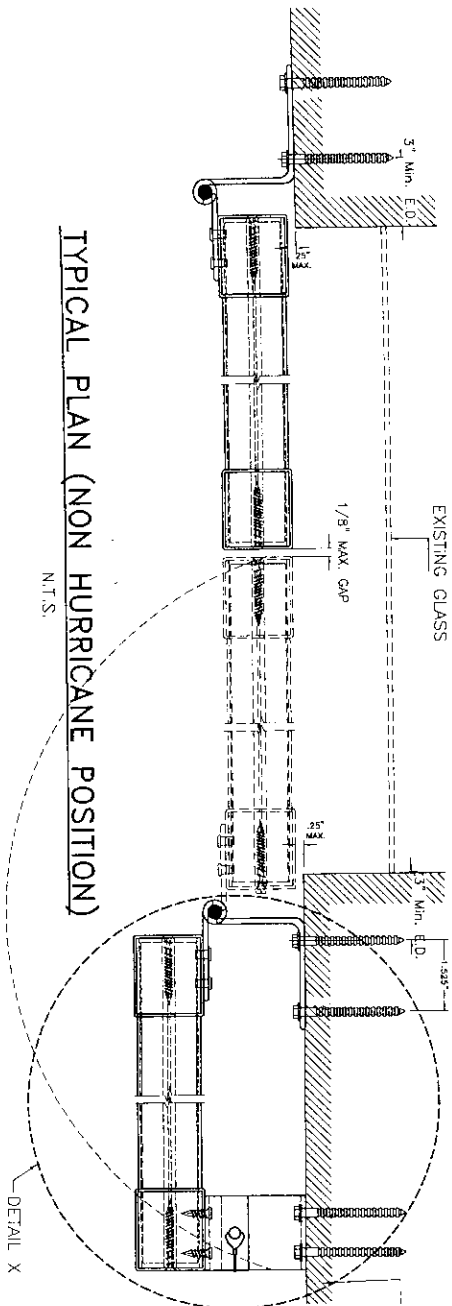
VIEW 1 (PARTIAL ELEVATION) N.T.S.

PLAN N.T.S.



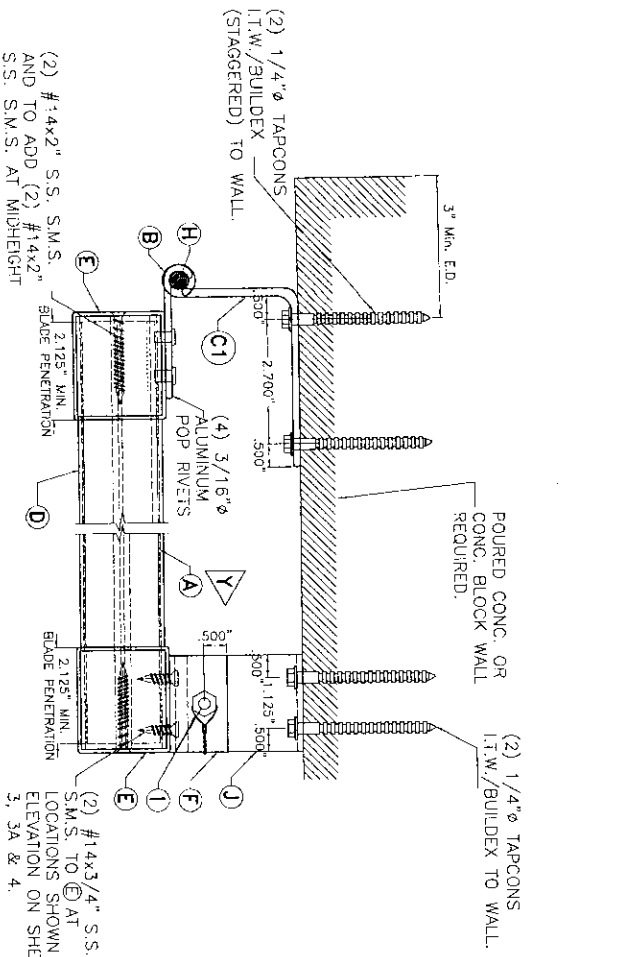
TILECO INC.
 TILECO TESTING & ENGINEERING COMPANY
 4268 WESTON DR. SUITE 300, WEST PALM BEACH, FLORIDA 33407
 PHONE: (561) 835-1100 FAX: (561) 835-1101
 WWW.TILECO.COM
 WALTER A. TILLET, P.E.
 FLORIDA Lic. # 44187
 © 2006 TILECO INC.

ASSA / BERTHA H.V. COLONIAL SHUTTER		DRAWN BY: LA	
AMERICAN SHUTTER SYSTEMS ASSOC., INC.		DATE: 12/20/06	
4268 WESTON DRIVE		DRAWING NO: 06-216	
WEST PALM BEACH, FLORIDA 33407		SHEET 5 OF 14	
REV. NO.	DATE	DESCRIPTION	DATE
1	07/17/06	1	



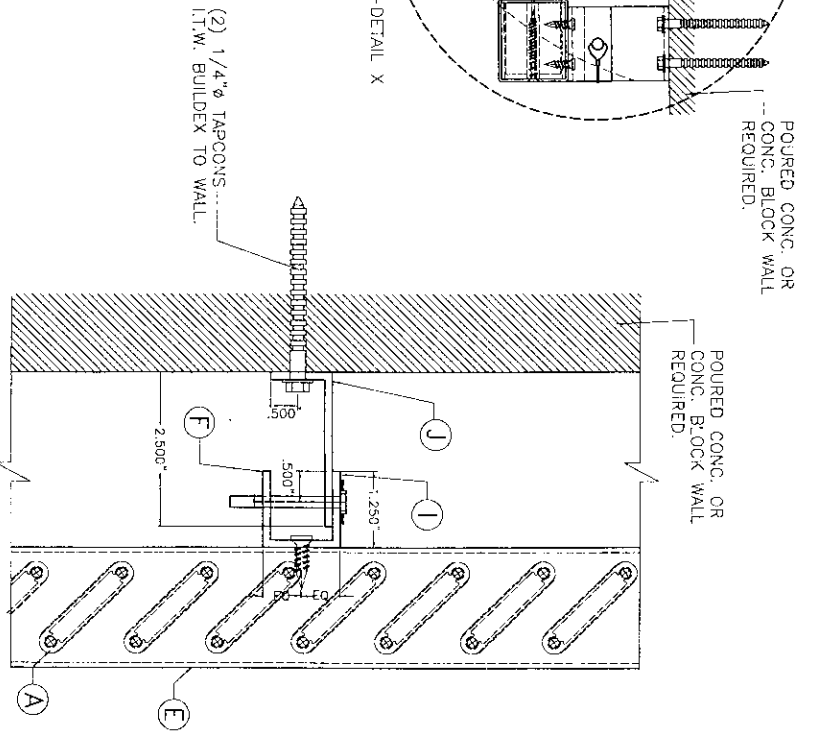
TYPICAL PLAN (NON HURRICANE POSITION)

N.T.S.



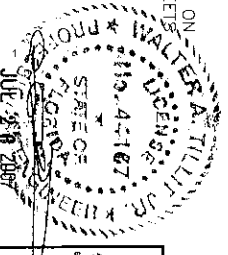
DETAIL X (NON HURRICANE POSITION)

SCALE: 3/8"=1"



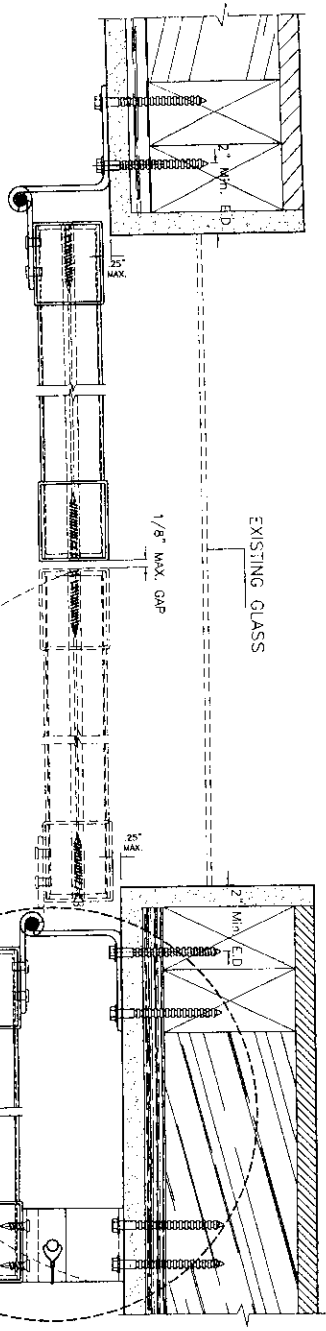
ELEVATION Y-Y

SCALE: 1/2"=1"



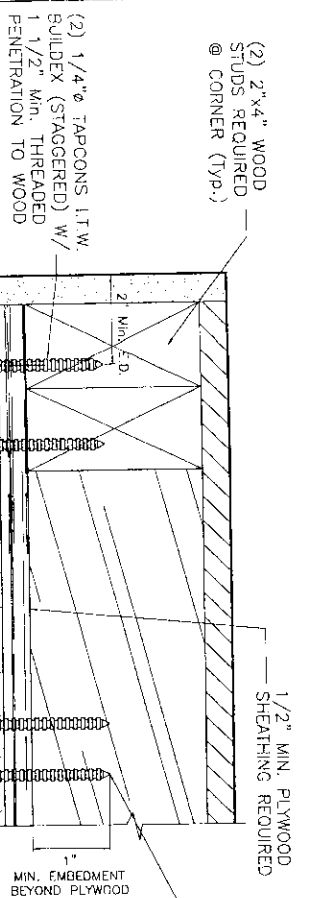
TILECO INC.
 TILE TESTING & ENGINEERING COMPANY
 6355 N.W. 36th St., Suite 300, Miramar, Florida 33181
 Phone: (305) 231-0000 Fax: (305) 231-1531
 Walter A. Tilt, Jr., P. E.
 Florida Lic. # 44167
 © 2006 TILECO INC.

F.B.C. (Non High Velocity Hurricane Zone)
 ASSA / BERTHA HV COLONIAL SHUTTER
 I.A.
 DRAWN BY
 DATE
 12/20/05
 AMERICAN SHUTTER SYSTEMS ASSOC., INC.
 4266 WEST PALM BEACH, FLORIDA 33407
 WEST PALM BEACH, FLORIDA 33407
 06-216
 DRAWING NO.
 SHEET 6 OF 14

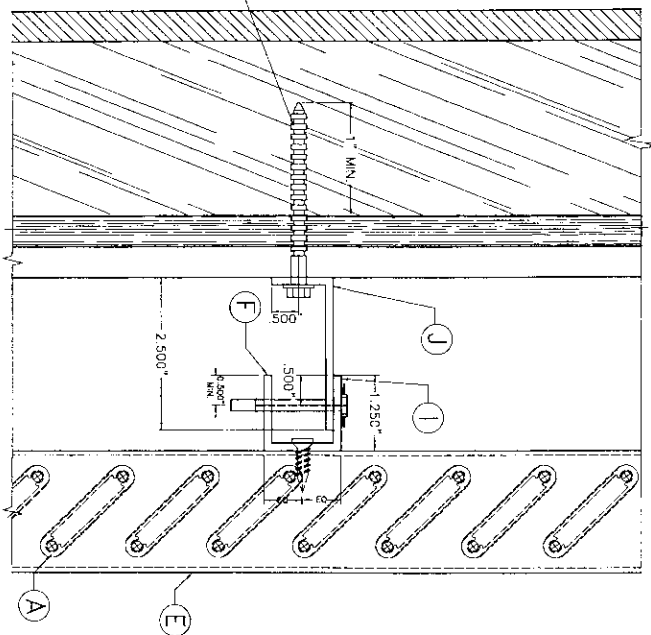


TYPICAL PLAN (NON HURRICANE POSITION)
N.T.S.

DETAIL X



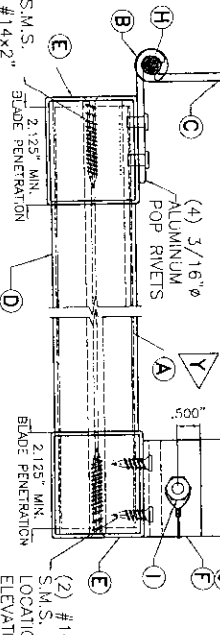
(2) 1/4" TAPCONS I.T.W. BUILDEX W/ 1 1/2" MIN. THREADED PENETRATION TO PLYWOOD SHEATHING REQ'D. W/ 1" EXTRA DISTANCE PASSED PLYWOOD



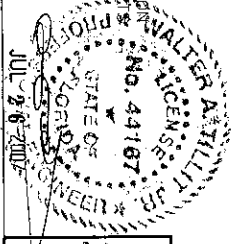
ELEVATION Y-Y
SCALE: 1/2"=1"

DETAIL X (NON HURRICANE POSITION)
SCALE: 3/8"=1"

(2) #14x2" S.S. S.M.S. AND TO ADD (2) #14x2" S.S. S.M.S. AT MIDHEIGHT

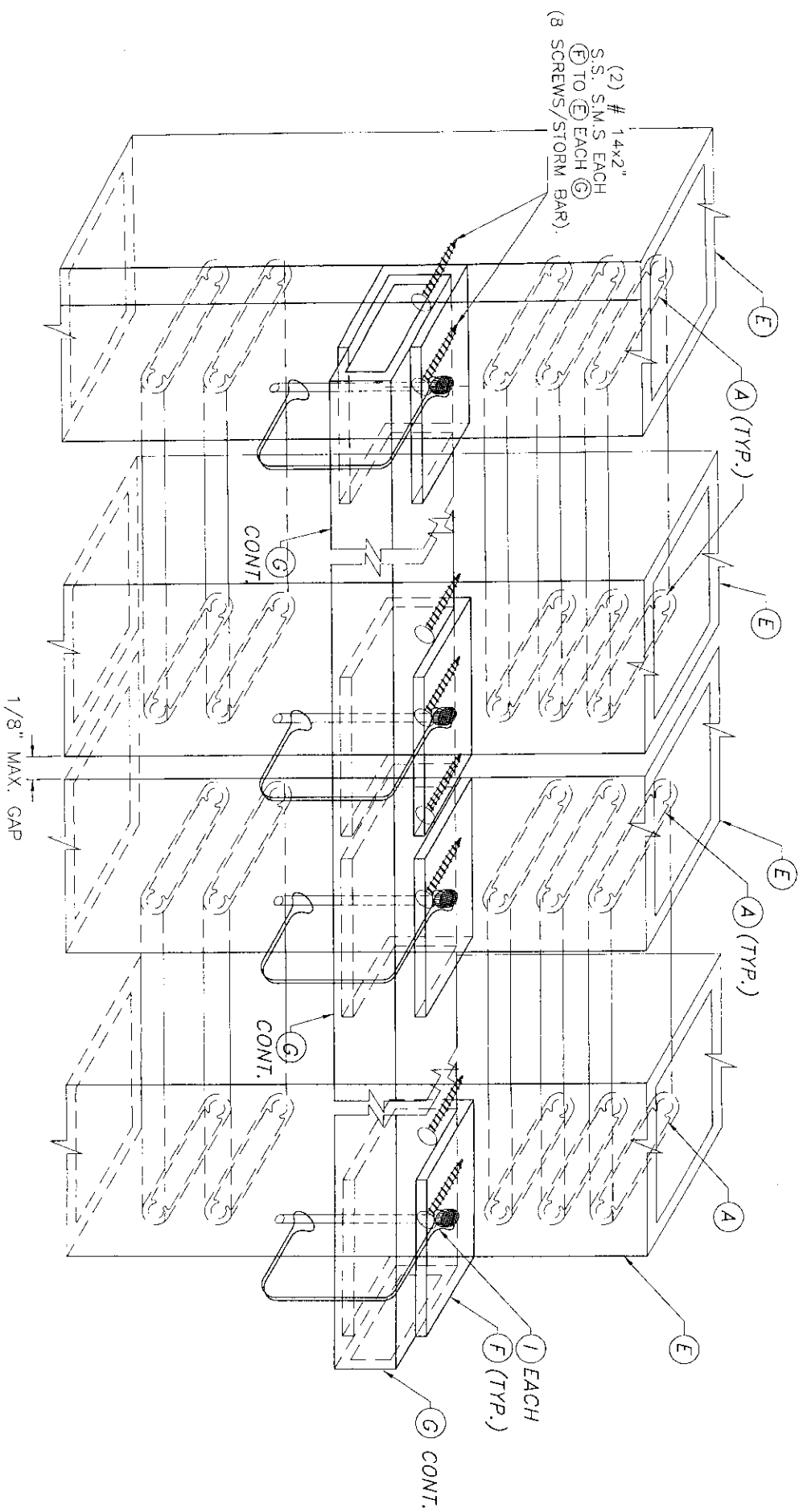


(2) #14x3/4" S.S. S.M.S. TO LOCATIONS SHOWN AT ELEVATION ON SHEETS 3 & 4.



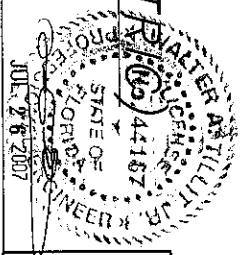
TILECO INC.
TILITE TESTING & ENGINEERING COMPANY
4328 WESTBROS DRIVE
WEST PALM BEACH, FLORIDA 33407
WALTER A. TILLET, P.E.
FLORIDA L.E. # 44187
© 2008 TILECO INC.

ASSA / BERTHA HV COLONIAL SHUTTER
F.B.C. (Non High Velocity Hurricane Zone)
DRAWN BY I.A.
12/29/06
DATE
AMERICAN SHUTTER SYSTEMS ASSOC. INC.
4328 WESTBROS DRIVE
WEST PALM BEACH, FLORIDA 33407
06-216
DRAWING NO
SHEET 7 OF 14



DETAIL 1 (ISOMETRIC)

N.T.S



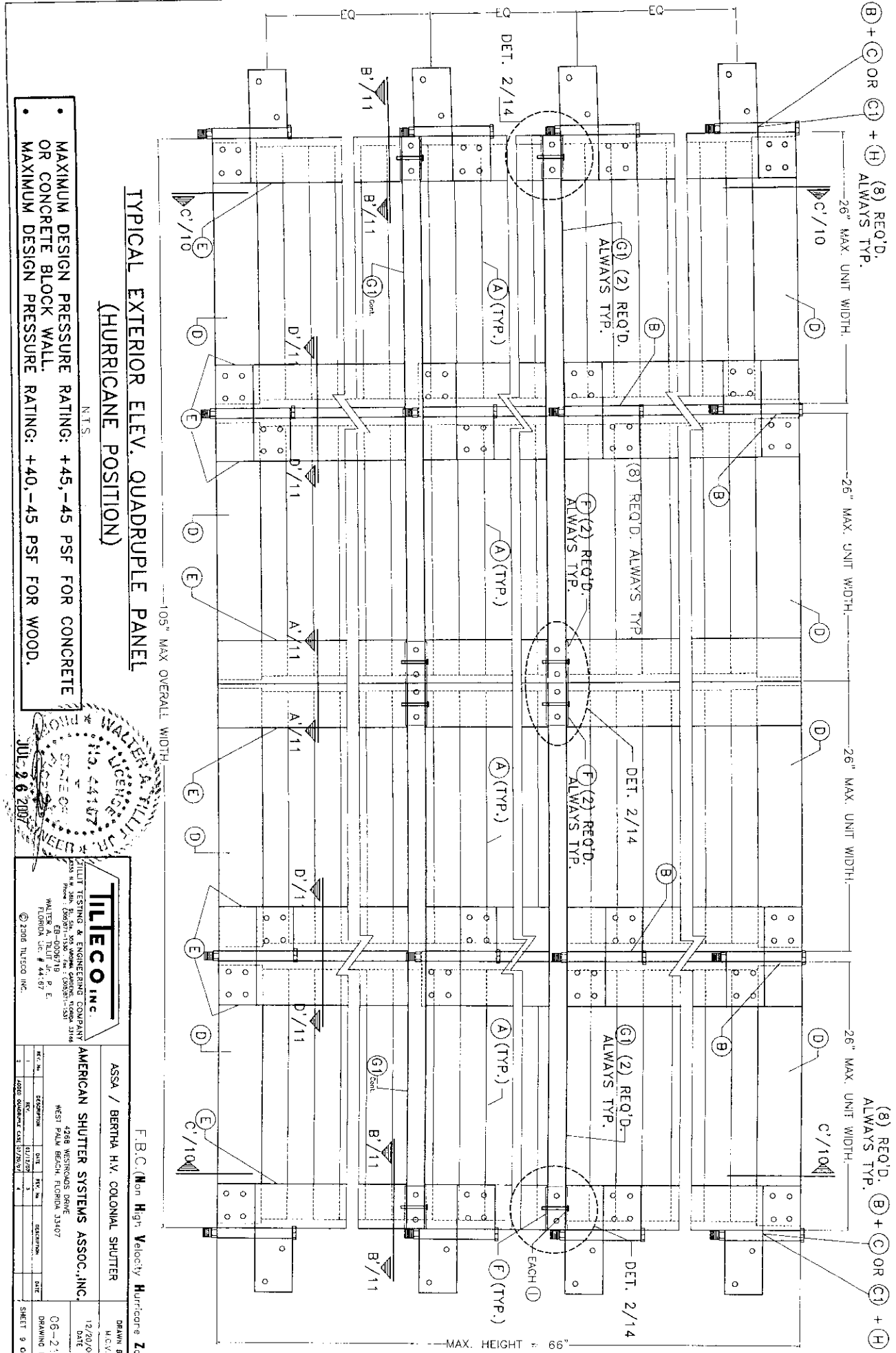
TILTECO INC.
 TILT TESTING & ENGINEERING COMPANY
 4328 N.W. 30th St., Ste. 202, Miramar, Florida 33181
 Phone: (305) 871-1500 Fax: (305) 871-1501
 WALTER A. TILT, P.E.
 FLORIDA Lic. # 44187
 © 2006 TILTECO INC.

REV. NO.		DATE		DESCRIPTION		DATE	
1		07/28/07					
2							

ASSA / BERTHA H.V. COLONIAL SHUTTER
 AMERICAN SHUTTER SYSTEMS ASSOC., INC.
 4328 N.W. 30th St., Miramar, Florida 33181
 WEST PALM BEACH, FLORIDA 33407

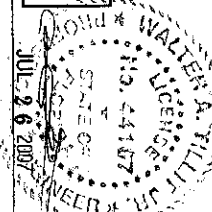
F.B.C. Non High Velocity Hurricane Zone

DRAWN BY: I.A.
 DATE: 12/20/06
 DRAWING NO: 06-216
 SHEET 8 OF 14



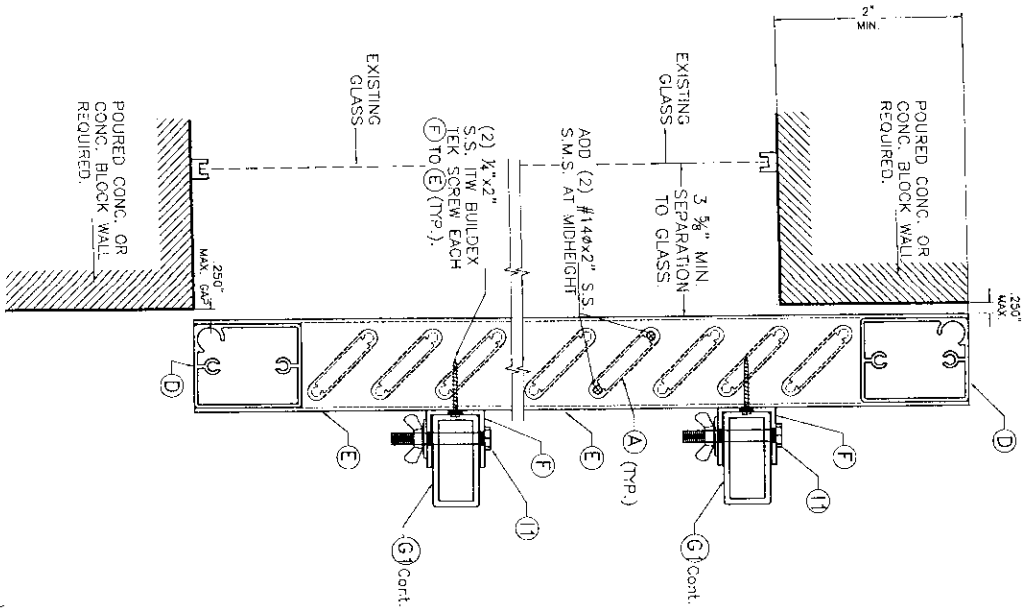
TYPICAL EXTERIOR ELEV. QUADRUPLE PANEL
(HURRICANE POSITION)

- MAXIMUM DESIGN PRESSURE RATING: +45, -45 PSF FOR CONCRETE OR CONCRETE BLOCK WALL.
- MAXIMUM DESIGN PRESSURE RATING: +40, -45 PSF FOR WOOD.



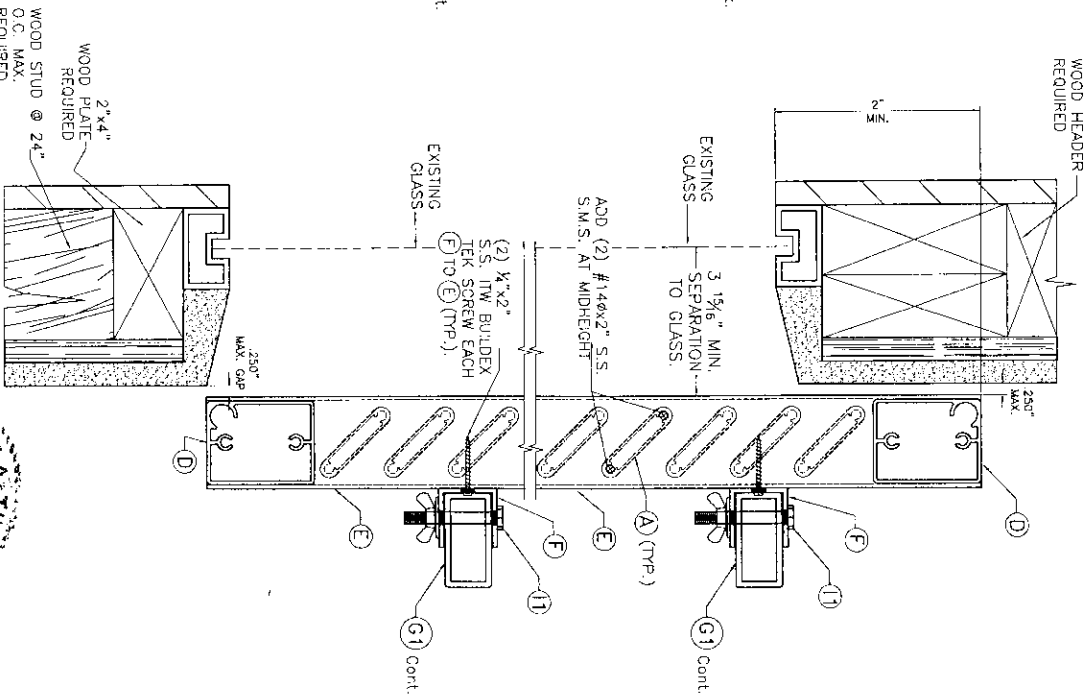
TILECO INC.
 TILT UP TESTING & ENGINEERING COMPANY
 4286 WESTINGHOUSE DRIVE
 WEST PALM BEACH, FLORIDA 33407
 PHONE: (561) 730-7000 FAX: (561) 730-1507
 WWW.TILECO.COM
 FLORIDA Lic. # 44147
 © 2006 TILECO INC.

ASSA / BERTHA H.V. COLONIAL SHUTTER		DRAWN BY	M.C.V.
AMERICAN SHUTTER SYSTEMS ASSOC., INC.		DATE	12/20/06
4286 WESTINGHOUSE DRIVE		06-216	
WEST PALM BEACH, FLORIDA 33407		DRAWING No	
AMERICAN SHUTTER SYSTEMS ASSOC., INC.		SHEET 9 OF 14	



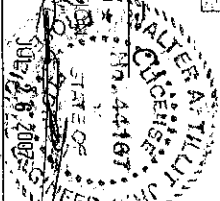
SECTION C' - C'

(WALL MOUNT)
HURRICANE POSITION
SCALE: 1/4" = 1"



SECTION C' - C'

(WALL MOUNT)
HURRICANE POSITION
SCALE: 1/4" = 1"



TILECO INC.
TILE TESTING & ENGINEERING COMPANY
1500 N. W. 10th St., Suite 1000
Fort Lauderdale, FL 33304
WALTER A. TULL, P.E.
FLORIDA Lic. # 44167
© 2006 TILECO INC.

F.B.C. (Non High Velocity Hurricane Zone)

ASSA / BERTHA H.V. COLONIAL SHUTTER

AMERICAN SHUTTER SYSTEMS ASSOC., INC.
4288 WESTROADS DRIVE
WEST PALM BEACH, FLORIDA 33407

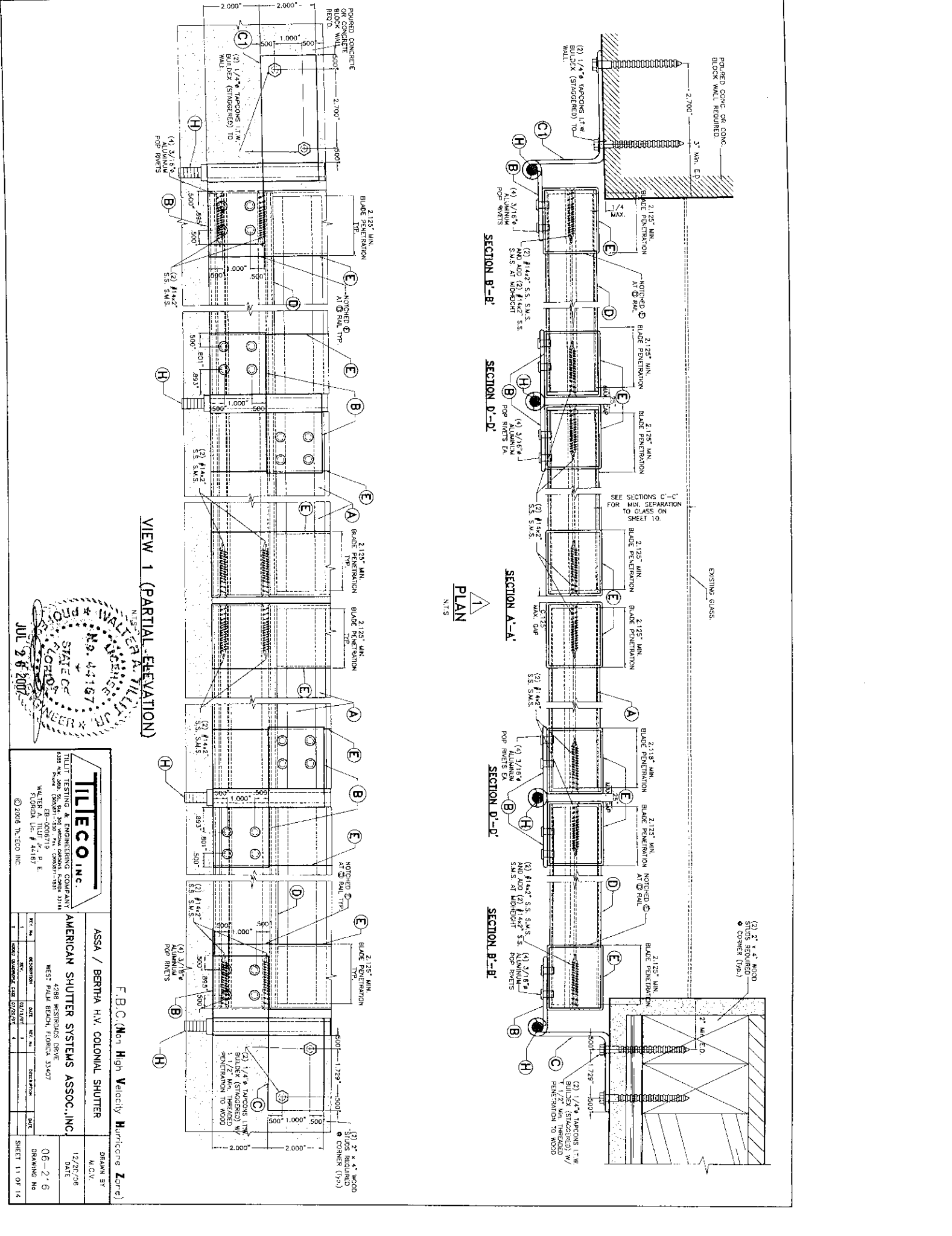
REV. NO.	DESCRIPTION	DATE	BY	CHK. BY	DATE
1	ISSUED FOR CONSTRUCTION	12/20/06			
2					

06-26
DRAWING NO.

12/20/06
DATE

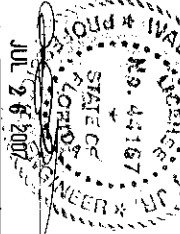
DRAWN BY
M.C.V.

SHEET 10 OF 14



VIEW 1 (PARTIAL ELEVATION)

PLAN

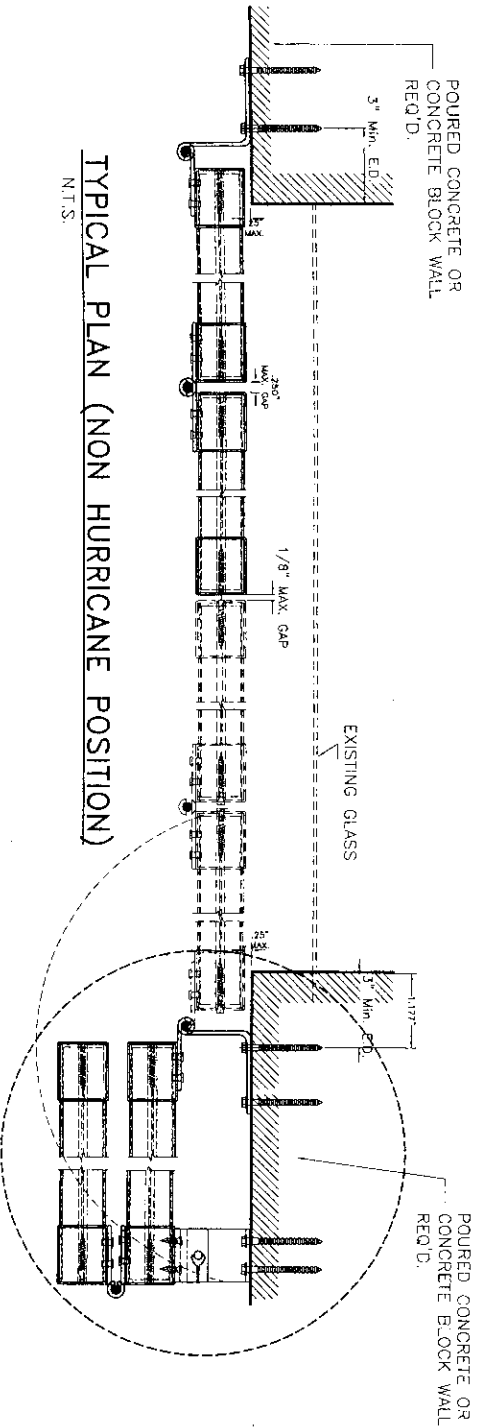


TILECO INC.
 TILE TESTING & ENGINEERING COMPANY
 4288 WESTRODS DRIVE
 WEST PALM BEACH, FLORIDA 33407
 WALTER A. TILT, P.E.
 FLORIDA Lic # 44187
 © 2008 TILECO INC.

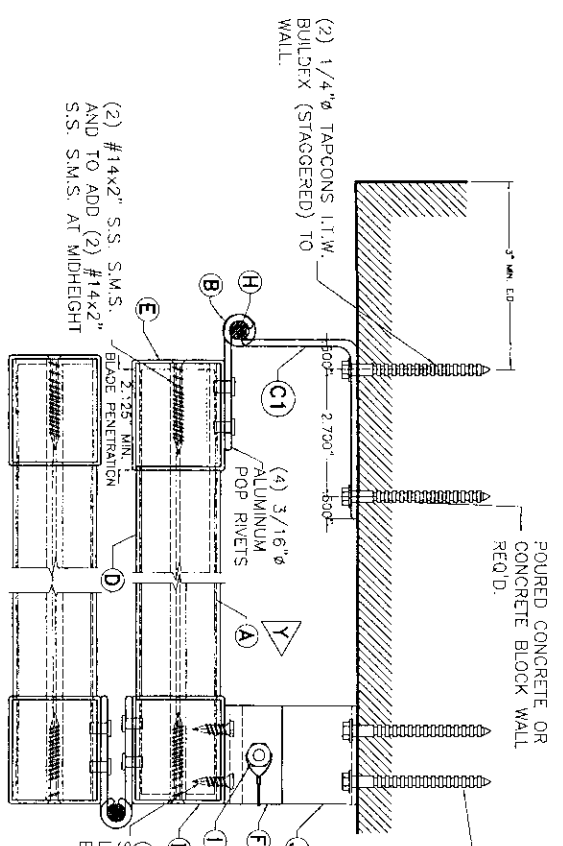
ASSA / BERTHA H.V. COLONIAL SHUTTER
 F.B.C. (Non High Velocity Hurricane Zone)

DRAWN BY: M.C.V.
 DATE: 12/26/06
 DATE: 06-2-6
 DRAWING NO: 06-2-6
 SHEET 11 OF 14

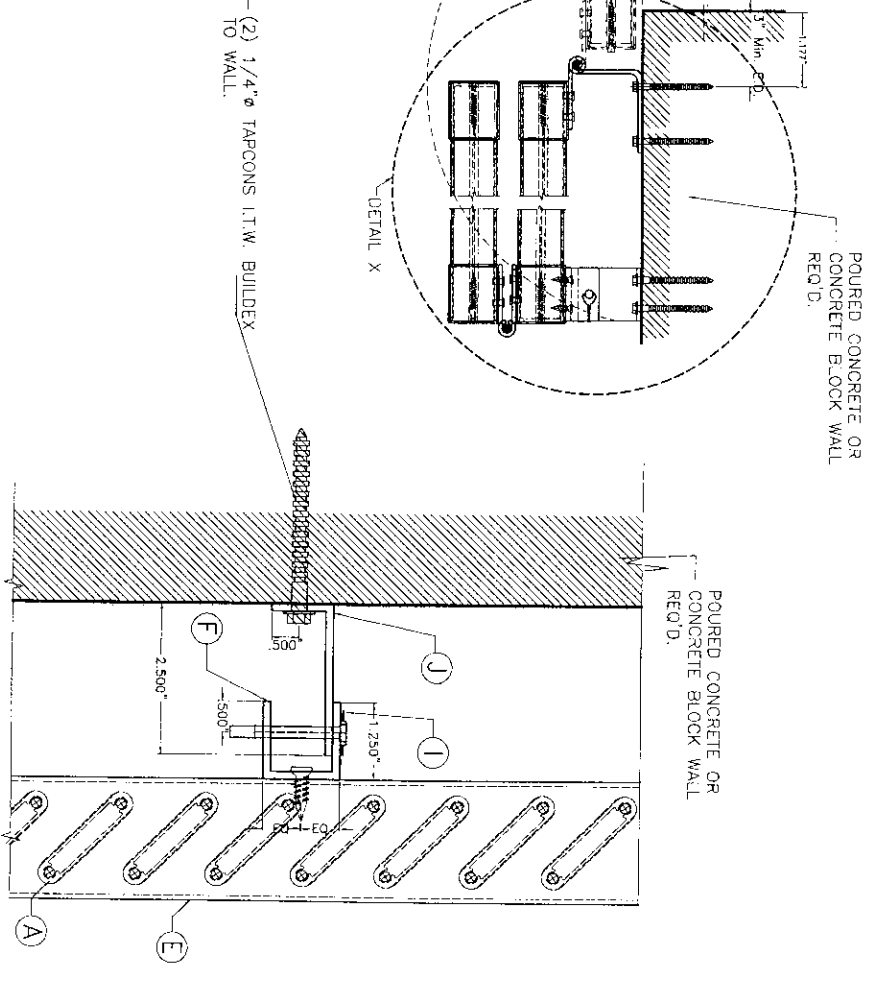
REV. NO.	DATE	DESCRIPTION
1	12/26/06	ISSUED FOR CONSTRUCTION
2	02/28/07	REVISED



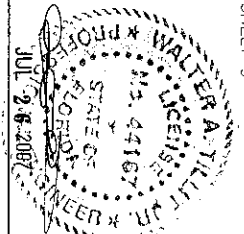
TYPICAL PLAN (NON HURRICANE POSITION)
N.T.S.



DETAIL X (NON HURRICANE POSITION)
SCALE: 3/8"=1"



ELEVATION Y-Y
SCALE: 1/2"=1"



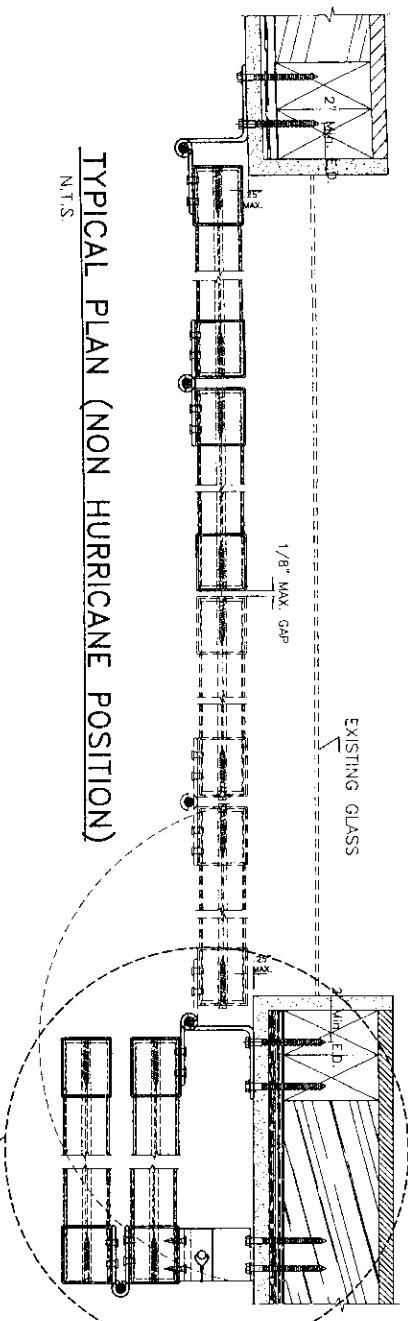
TILECO INC.
 TILE TESTING & ENGINEERING COMPANY
 ASSOCIATION: Florida, License No. 705281-1531
 WALTER A. TILLITT, P.E.
 FLORIDA LIC. # 44167
 © 2008 TILECO INC.

ASSA / BERTHA H.V. COLONIAL SHUTTER
 AMERICAN SHUTTER SYSTEMS ASSOC., INC.
 4208 WESTWOODS DRIVE
 WEST PALM BEACH, FLORIDA 33407

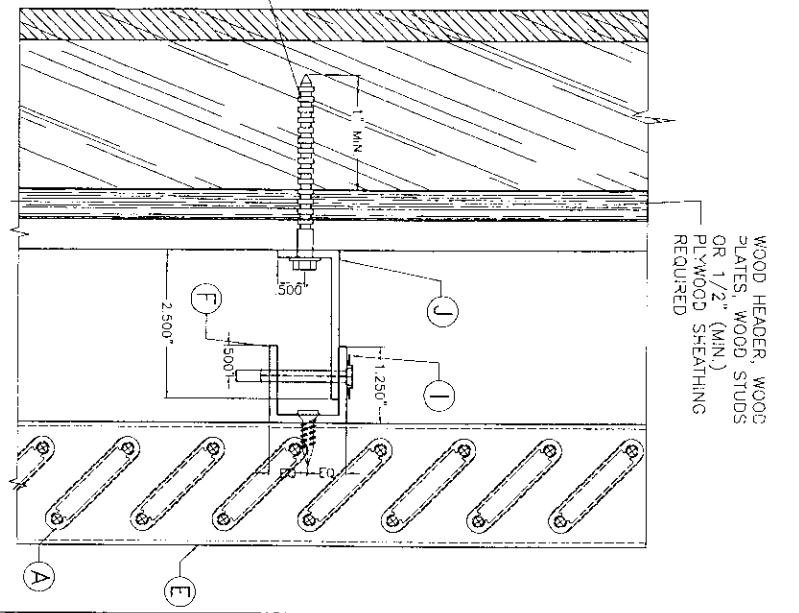
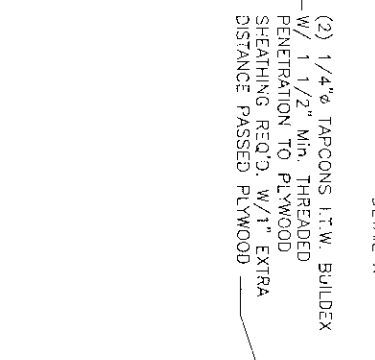
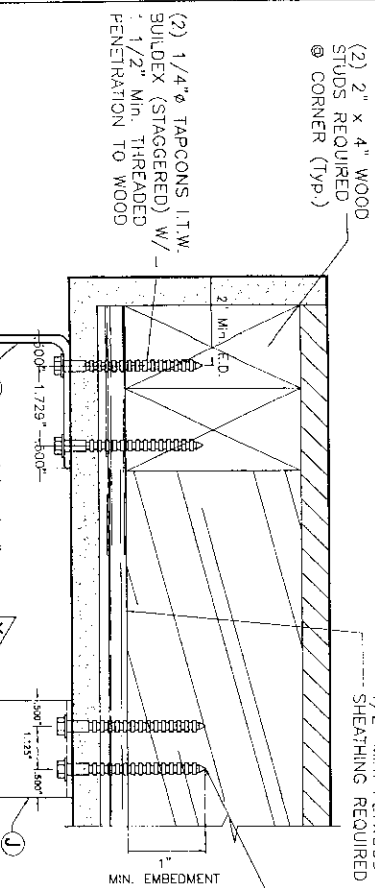
F.B.C. (Non High Velocity Hurricane Zone)

REV.	DESCRIPTION	DATE	BY	CHK.	DATE
1					

DRAWN BY: M.C.V.
 DATE: 12/20/06
 06-216
 DRAWING NO.
 SHEET 12 OF 14



TYPICAL PLAN (NON HURRICANE POSITION)
N.T.S.



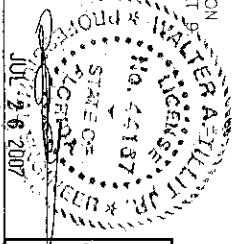
ELEVATION Y-Y
SCALE: 1/2"=1"

(2) #14x2" S.S. S.M.S. AND TO ADD (2) #14x2" S.S. S.M.S. AT MIDHEIGHT

(2) #14x3/4" S.S. S.M.S. TO E AT LOCATIONS SHOWN ON ELEVATION ON SHEET 9

DETAIL X (NON HURRICANE POSITION)

SCALE: 3/8"=1"



TILECO INC.
 TILT TESTING & ENGINEERING COMPANY
 4335 N.W. 36th St., 3rd Floor, Pompano Beach, Florida 33062
 Phone: 1-888-89-0006/313 (888)987-1331
 WALTER A. TILT, P.E.
 FLORIDA LIC # 44187
 © 2006 TILECO, INC.

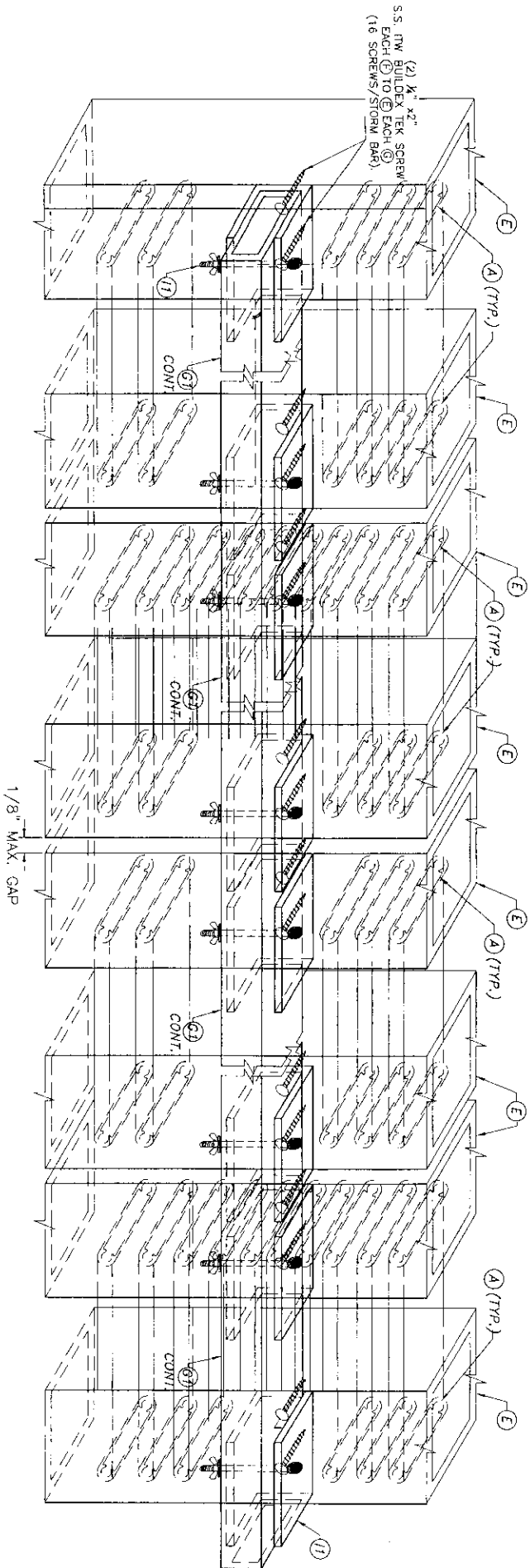
F.B.C. (Non High Velocity Hurricane Zone)

ASSA / BERTHA HV COLONIAL SHUTTER

AMERICAN SHUTTER SYSTEMS ASSOC., INC.
 4308 WESTRIDGE DRIVE
 WEST PALM BEACH, FLORIDA 33407

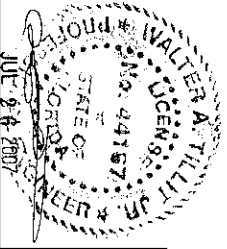
REV. NO.	DATE	DESCRIPTION	DATE
1	02/13/06		
2	02/27/07		

DRAWN BY: M.C.V.
 DATE: 12/20/06
 CG-216
 DRAWING NO.
 SHEET: 3 OF 14



DETAIL 2 (ISOMETRIC)

N.T.S.



TILECO INC.
 TILIT TESTING & ENGINEERING COMPANY
 4388 WESTROADS DRIVE
 WEST PALM BEACH, FLORIDA 33407
 WALTER A. TILLET, JR., P. E.
 FLORIDA LIC. # 44157
 © 2006 TILECO INC.

ASSA / BERTHA H.V. COLONIAL SHUTTER		DATE	12/20/06
AMERICAN SHUTTER SYSTEMS ASSOC., INC.		DATE	06-216
4388 WESTROADS DRIVE		DATE	06-216
WEST PALM BEACH, FLORIDA 33407		DATE	06-216
REV. NO.	DATE	BY	DESCRIPTION
1	12/20/06	WALTON	ISSUE FOR CONSTRUCTION
2			
3			
4			
5			
6			
7			
8			
9			
10			
11			
12			
13			
14			
15			
16			
17			
18			
19			
20			
21			
22			
23			
24			
25			
26			
27			
28			
29			
30			
31			
32			
33			
34			
35			
36			
37			
38			
39			
40			
41			
42			
43			
44			
45			
46			
47			
48			
49			
50			
51			
52			
53			
54			
55			
56			
57			
58			
59			
60			
61			
62			
63			
64			
65			
66			
67			
68			
69			
70			
71			
72			
73			
74			
75			
76			
77			
78			
79			
80			
81			
82			
83			
84			
85			
86			
87			
88			
89			
90			
91			
92			
93			
94			
95			
96			
97			
98			
99			
100			

F.B.C. (Non High Velocity Hurricane Zone)

ASSA / BERTHA H.V. COLONIAL SHUTTER

AMERICAN SHUTTER SYSTEMS ASSOC., INC.

4388 WESTROADS DRIVE
 WEST PALM BEACH, FLORIDA 33407

WALTER A. TILLET, JR., P. E.
 FLORIDA LIC. # 44157

© 2006 TILECO INC.

DRAWN BY
M.C.V.

DATE
12/20/06

DATE
06-216

DRAWING NO.
06-216

SHEET 14 OF 14